

KIMMON LASER SYSTEM

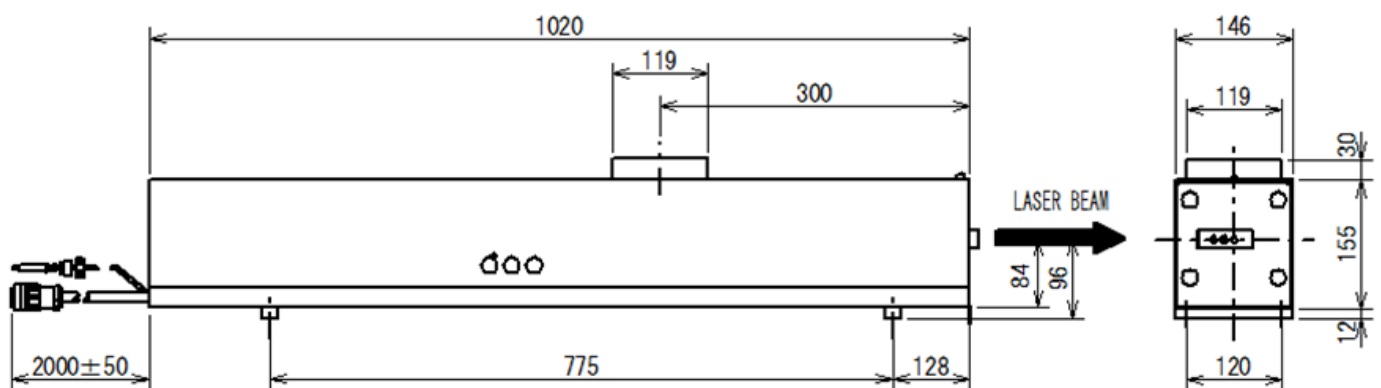
IK5452R-E

Wavelength : 325 / 442nm Power : 15 / 65mW

Transverse Mode : TEM multimode



Dimension (mm)
IK-E



SPECIFICATIONS

Model	IK5452R-E
Wavelength (nm)	325 / 442
Power (mW)	15 / 65
Transverse Mode	TEM multimode
Polarization	Linear
Polarization Ratio	> 500:1
Noise, P-P @30kHz~2MHz (%)	< 10 / 10
Beam Diameter 1/e ² (mm)	< 1.3 / 1.3* ¹
Beam Divergence (mrad)	< 1.0
Beam Pointing Stability (μ rad) (At 25°C constant temperature)	$\leq \pm 25$
Warm Up Time (90% power) (minutes)	20
Power Stability (%) (At 25°C constant temperature)	$\leq \pm 2.0$ (4 hours)
Power Stability (10~40°C) (%)	> 20
Environmental Condition (Operation)	Temperature 10~40°C, Humidity $\leq 90\%RH$ * ²
Environmental Condition (Storage)	Temperature -10~50°C, Humidity $\leq 90\%RH$ * ²
Shock (with Kimmon packaging) (G)	20* ³
Dimensions (W×H×L) (mm)	146×197×1020
Weight (kg)	17.0
Laser Class	3B / IIIb

*1 Measured at 100mm from output coupler

*2 Non-condensing

*3 Vertical direction

