

NEW Laser Power Meter KPM-1000



Features

- Thermo pile detector
- Wide power range
- Single-Button navigation
- 3.7 inch display
- Wide spectral range
- Low power consumption

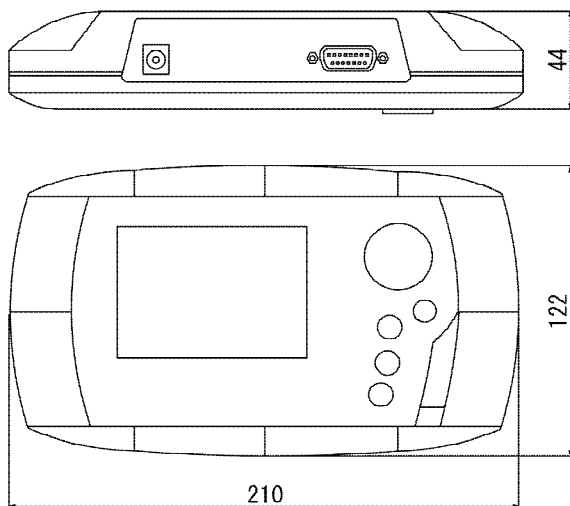
Specifications

Spectral Range	0.19 μ m to 20 μ m
Power Range	1 μ W to 3W
Effective Aperture	12mm ϕ
Output Monitor	Digital display (LCD 76 \times 57mm)
Batteries	4AA alkaline batteries(670-hour durability)
Dimensions	KPM-1000 : 210mm(W) \times 122mm(H) \times 44mm(D) KPD-1000 : 73mm(W) \times 73mm(H) \times 72mm(D)
Weight	KPM-1000 : 470g KPD-1000 : 312g

Specifications in this document subject to change without notice.

Dimensions

KPM-1000



KPD-1000

