

Nd: YAG Laser



**Nd: YAG Laser : KDPL-Y121 KDPL-Y201
 KDPL-Y121L KDPL-Y201L**

Kimmon, the name you have known and trusted for 35 years in the blue and ultraviolet laser industry is proud to introduce its' new line of diode pumped Nd: YAG lasers operating at 1064nm TEM00. Our models KDPL-Y121L (80mW) and KDPL-Y201L (160mW) are polarized while our models KDPL-Y121 (120mW) and KDPL-Y201 (200mW) are randomly polarized.

Each system is air cooled and features active thermoelectric temperature control to provide a power stability of better than $\pm 2\%$ over four hours. The compact design of the laser head and power supply make it ideal for OEM or laboratory applications.

Applications:

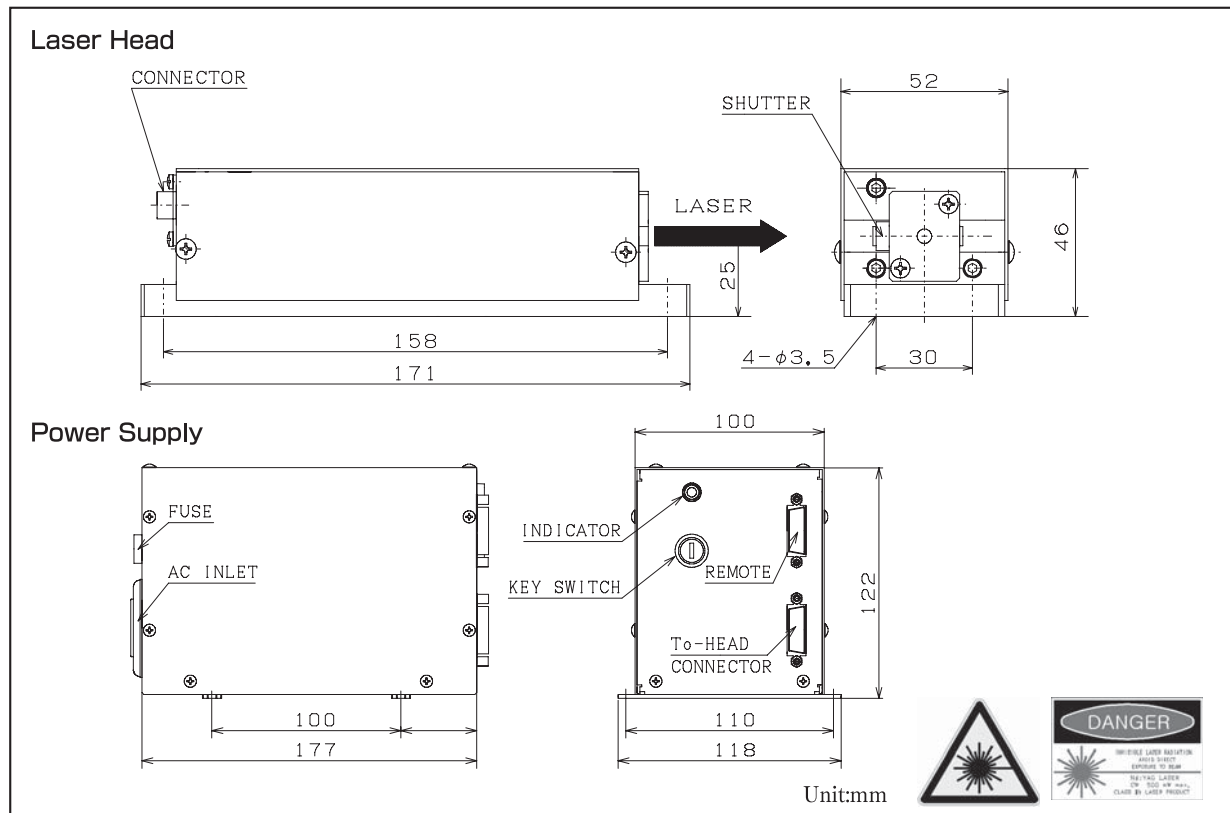
- Biofluorescence
- Imaging
- Raman spectroscopy
- Interferometry
- Confocal Microscopy
- Printing/Plate making
- Photoluminescence
- Precision measurement

Nd:YAG Laser Specifications

Model	KDPL-Y121	KDPL-Y201	KDPL-Y121L	KDPL-Y201L
Output wavelength (nm)	1064			
Rated output power (mW)	120	200	80	160
Transverse mode structure	TEM ₀₀			
Polarization	Random		Horizontal	
Polarization ratio	>100:1			
Beam diameter (mm)	<1.2			
Beam divergence (mrad)	<3.0			
Output power noise (RMS) 1Hz~10MHz (%)	<1.0			
Output power stability (%) (4 hours)	±2.0			
Environmental conditions	Temperature:10~30(°C) Humidity:<90%RH			
Laser head dimensions L×W×H(mm)	52×171×46			
Power supply dimensions L×W×H(mm)	118×122×177			
Laser head weight (g)	450			
Power supply weight (g)	1500			
Power requirements (VAC)	AC100~240			
Power consumption (w)	<100			
Class	class III b			

* Specifications subject to change without notice.

Dimensions



KIMMON KOHA CO.,LTD.

1-53-2 ITABASHI, ITABASHIKU, TOKYO, 173-0004 JAPAN
 PHONE +81-3-5248-4820 FACSIMILE +81-3-5248-0021
 e-mail : lasers@kimmon.com